

MK IXL SHROUD

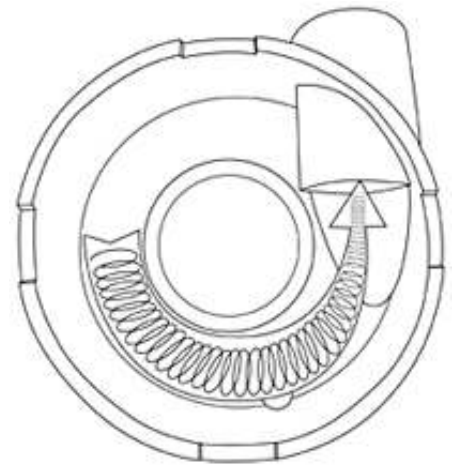


The MK-IXL concrete grinder shroud has been engineered to control dust during concrete grinding operations. The shroud's snail shape design utilizes the air velocity created by the rotating grinding wheel to efficiently channel dust particles away from the work surface and into the vacuum port.

This technology results in less airborne dust, less cleanup and improved grinding efficiency. Designed to fit most popular 7" and 9" grinders, the IXL can be used with cup wheels up to 7" in diameter. When used with a vacuum, the shroud helps to reduce cleanup time, provide better visibility and increase productivity. This shroud is specifically designed for cleaning, leveling spots, removing epoxies, urethanes, paint and other coatings, smoothing out uneven surfaces on floors and cleaning glues and mastics after removal of floor coverings.

The IXL shroud's snail shape design utilizes the air velocity created by the rotating grinding wheel to efficiently channel dust particles away from the work surface and into the vacuum port. This technology results in less airborne dust, less cleanup and improved grinding efficiency.

- Developed for heavy-duty use by contractors for grinding concrete, masonry, and mortar
- Dust control reduces clean up time
- Made from an "abrasive resistant" plastic to prevent wear from the grinding process
- Attaches to any traditional shop vacuum or commercial vacuum system
- Easy to install, no tools are required
- Fits Milwaukee, Dewalt, Metabo, Hitachi, Makita, and Bosch 15 amp grinders
- Each individual shroud includes cup wheel washer, shroud clamp, cup nut assembly, IXL shroud spacers (set of 5) and shroud instruction manual.





The MK-IXL Shroud is easy to install, no tools are required, and is designed to fit 7" and 9", 15 amp grinders – Milwaukee, Dewalt, Metabo, Hitachi, Makita, and Bosch.